



自動釋氣閥 UPVC

Air Release Valve - UPVC

Model: 80-00



自動釋氣閥可將水中的空氣迅速排除，減少空氣造成的噪音、震動，維持控制閥穩定性、提高設備效率及有效抑制水鏽生成。

Air Release Valve can quickly eliminate the air from the water to reduce the noise, vibration caused by the air. It can also maintain the stable operation of the relevant control valve, advance the efficiency of the equipment and efficiently restrain watermarks or incrustations to be generated.

結構材質 Material of Construction

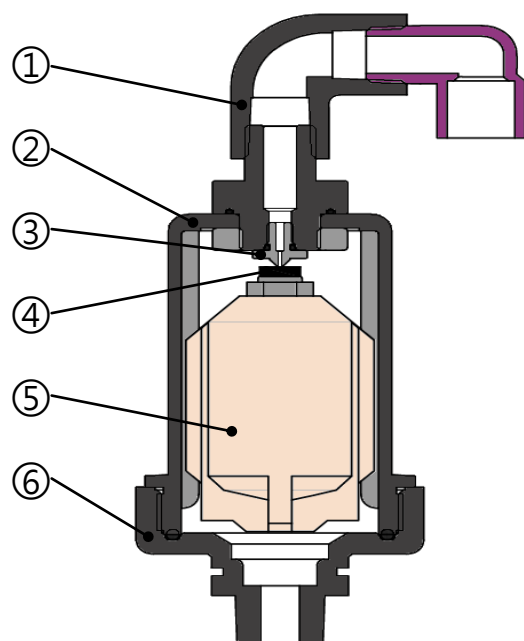
No.	Parts Name	Material
1	彎頭 Elbow	UPVC
2	上本體 Upper body	UPVC
3	氣嘴 Seat	不鏽鋼 SUS / 塑鋼 POM
4	排氣塞 Orifice Seal	VITON
5	浮球 Float	發泡聚丙烯 PP
6	下本體 Lower body	UPVC

閥門規格 Specification

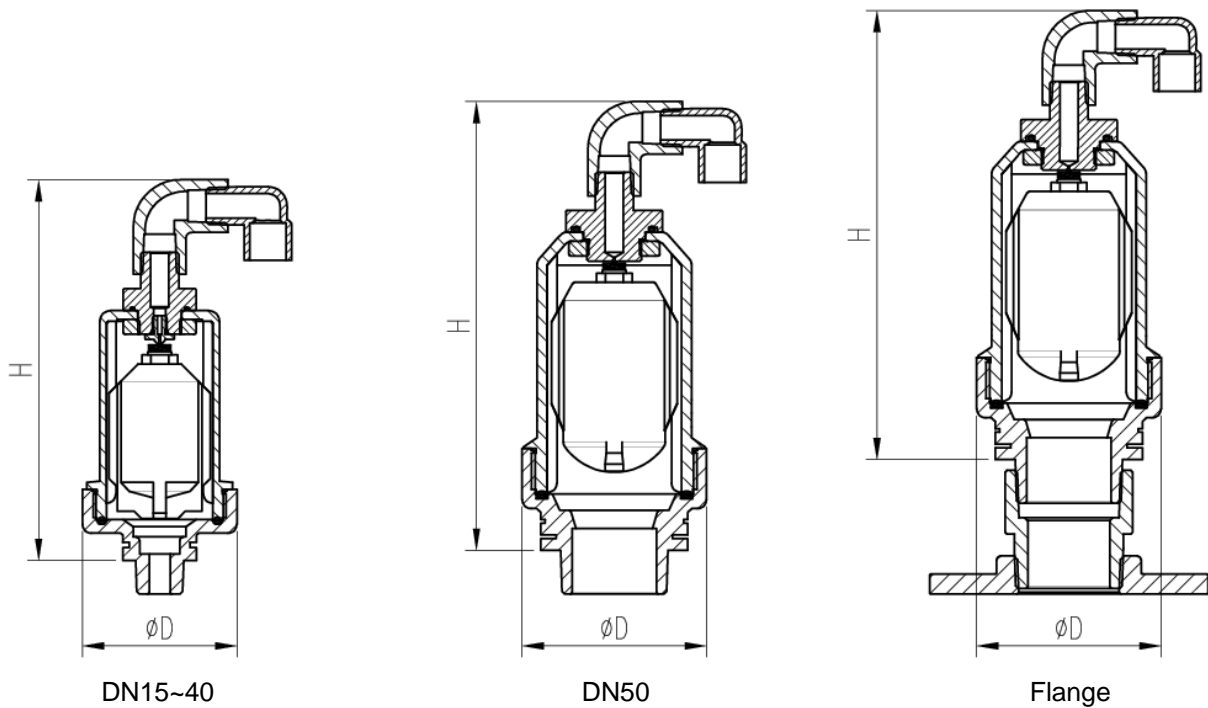
閥門尺寸 Size : DN15~DN50

最大工作壓力 Max working pressure : 7 bar

最大工作溫度 Max working temperature : 100°C



外形尺寸 Dimension



閥門尺寸 Valve Size	D (mm)	H (mm)	螺紋口 Screw (PT)	法蘭口 Flange (150LB FF)
15	85	210	1/2"	1/2"
20	85	210	3/4"	3/4"
25	85	210	1"	1"
32	85	210	1-1/4"	1-1/4"
40	85	210	1-1/2"	1-1/2"
50	102	250	2"	2"

注意：排氣閥應垂直安裝在管道系統的高處位置

Note : The air release valve should be installed in a vertical position at high points in a pipe system.

※安裝閥門時，強烈要求預留足夠空間以便日後之維護工作 When installing the valve, strongly request to leave enough space for maintenance.

※寶閥公司保留不經事先通知及對其閥門型號、尺寸逕行更改之權利！

King-Tech reserves the right to make any revisions on the valve model and size without prior notification.

※如製作設計圖、安裝圖或施工圖等，請務必取得本公司簽署確認之 CAD 圖稿，否則如有發生錯誤情況，請恕本公司無法負責！

When making any design drawing, installation drawing or construction drawing, please do get our approved CAD with our signature, or we will not be responsible for any mistake.

寶閥精密工業股份有限公司

King-tech Valve Precision Industry Inc.



臺北市新生北路二段 127 巷 47 號 1F

www.kingtech-sb.com

E-mail: sb.wow@msa.hinet.net



經銷商 Distributor